

# Quick Guide



**BXT3-32**

Heavy industry application  
PET 25 / 32 mm



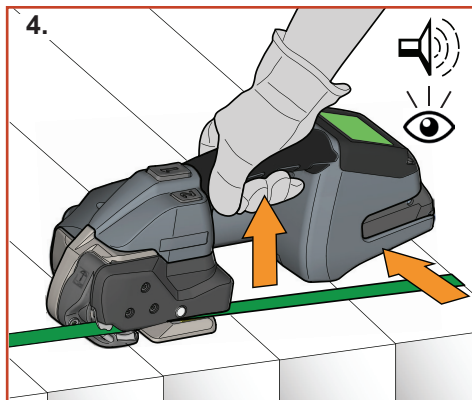
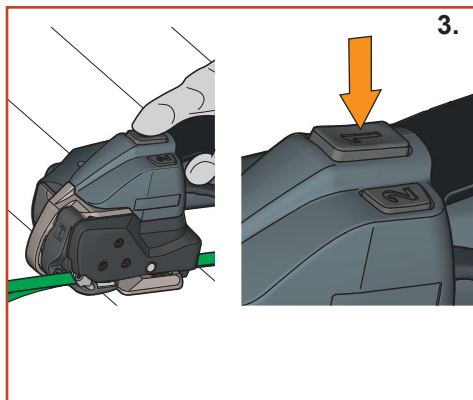
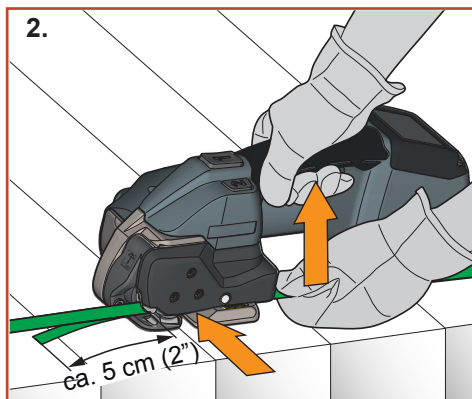
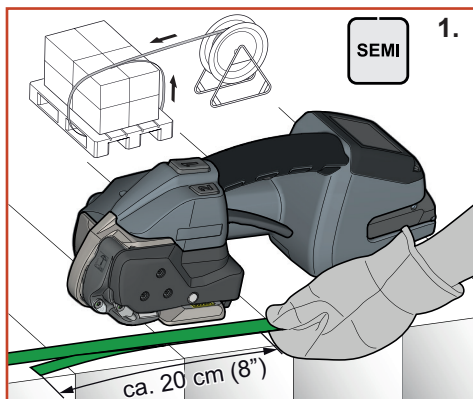
# Package content



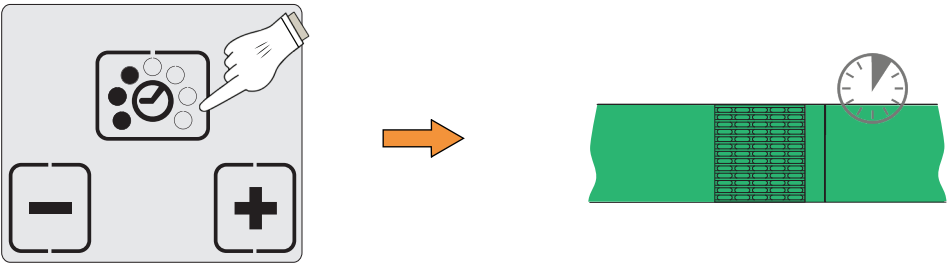
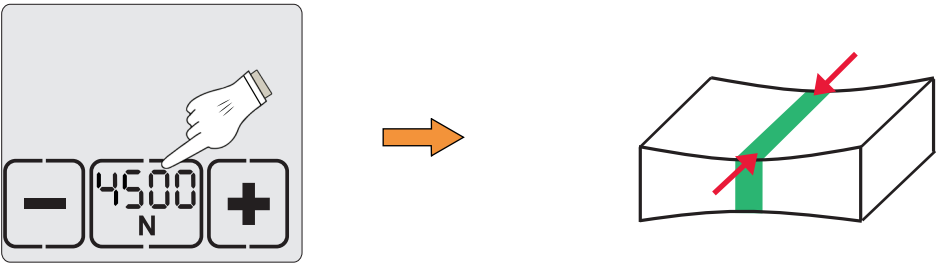
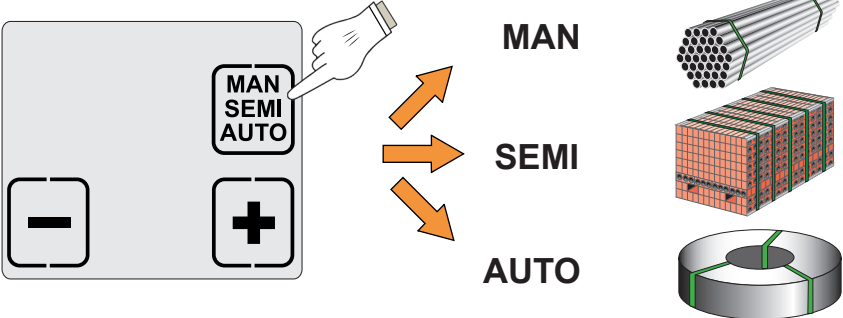
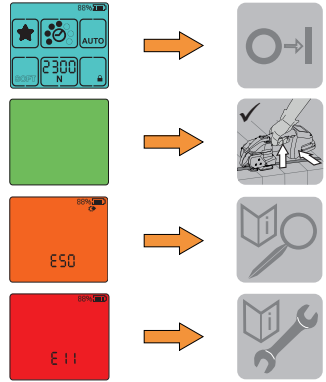
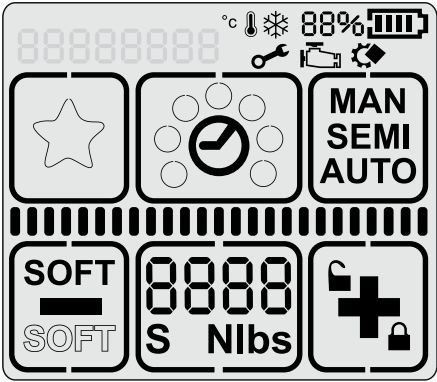
## Operation



For safety regulations, refer to operating instructions!



# User interface



# Cleaning/replacing wear parts



## Accessories



## Contact

Signode Switzerland GmbH  
Silbernstrasse 14, Postfach  
8953 Dietikon 1  
SWITZERLAND  
signode.com

[www.signode-bxt.com](http://www.signode-bxt.com)

