

Quick Guide

BXT3-13



Light application
PP & PET / 9–13 mm



BXT3-16



Universal application
PP & PET / 13–16 mm



BXT3-19



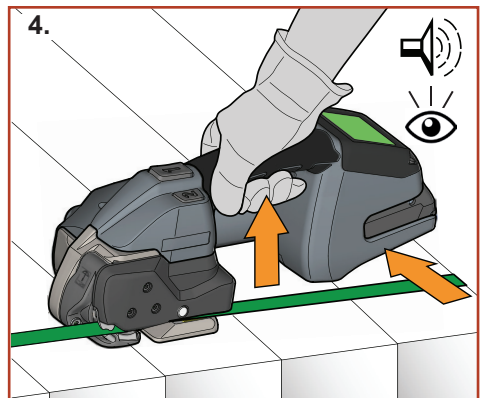
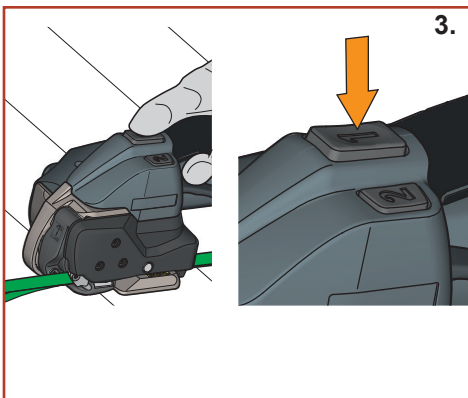
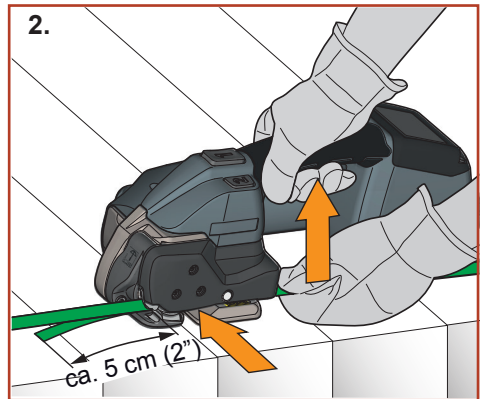
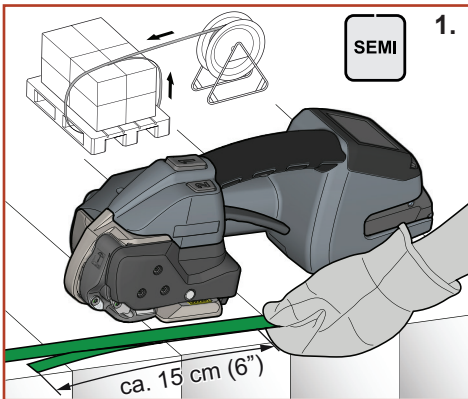
Heavy industry application
PP & PET / 16–19 mm



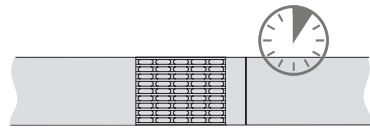
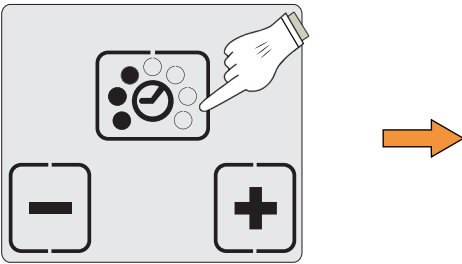
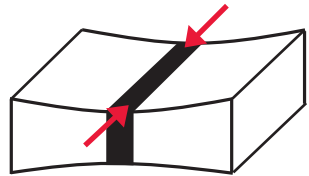
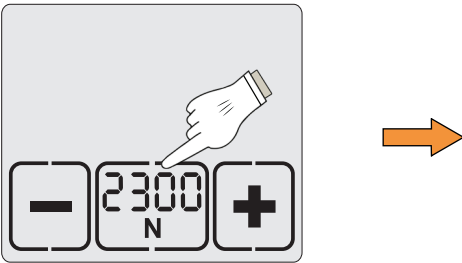
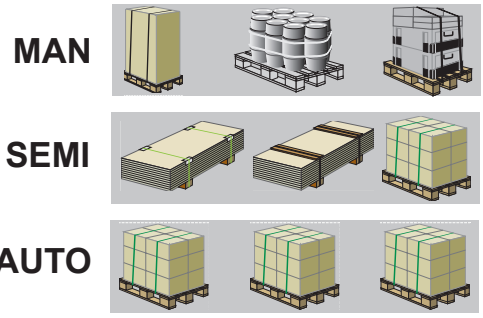
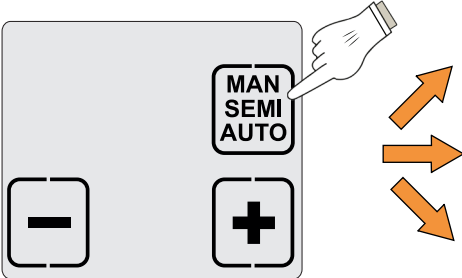
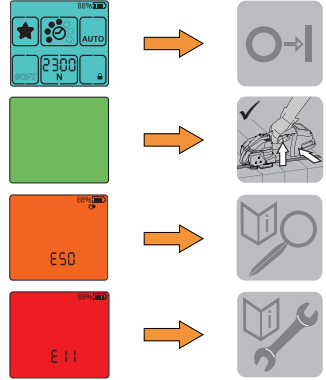
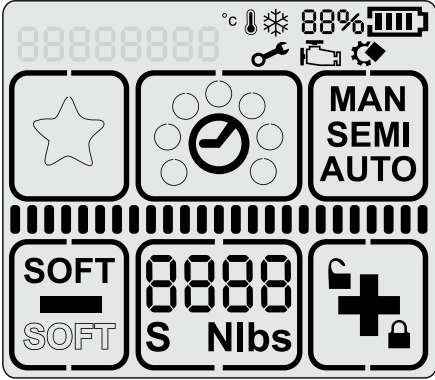
Package content



Operation



User interface



Cleaning/replacing wear parts



Accessories



Contact

Signode Switzerland GmbH
Silbernstrasse 14, Postfach
8953 Dietikon 1
SWITZERLAND
signode.com

www.signode-bxt.com

